



Performance
through **EXCELLENCE**



AXIAL FLOW PUMPS

Performance at Its Best: Axial Flow Pumps



Long life, minimum maintenance and seamless performance; all these features are best justified in Axial Flow Pumps. The Propeller Pumps indeed rules the industry by the matchless corrosive and abrasive solutions offered by it. The vivid range of propellers AF Models are unrivalled. It is best designed to meet any and every possible high flow, low head pumping requirements.



Excellence Features

The AF model is renowned world wide for its flawless performance in various services. The strong service network adds on to the performance, further by offering on time maintenance services and prompts response to the customer queries. The most attractive features that the range offers to its clients are:

- **Durability..** The pump can go on and on for years together. The happy customers claim to have not changed the parts of the pump for over 5 years!
- **Efficiency..** The innovative technology used in the propeller designs makes it capable of realizing its maximum potential in any specific flow rate and elevation
- **Versatile..** What ever your need may be, the AF model can comprehend it are perform to its full potential. The wide range of propellers can fit it any vertical, horizontal, inline or open version of the building design.
- **Maintenance..** Both the life and the performance of the Axial Flow Pumps can be enhanced by employing timely maintenance services. As per the manufacture, the pump requires a routine service at each 2 or 3 year. The company assist its customers with a very strong network competent in providing opportune services irrespective of the geographical location.
- **Vibration..** The propeller pump is environmental friendly. It produces maximum output with minimum noise and vibration.

The Axial Flow Pumps is designed to cater every type of pumping requirement. Whether it is the daunting task of pumping corrosives or the abrasive slurries are to be pumped, the AF model can do it all without any hindrance. Even the extreme temperature liquids and the hazardous fluids are powerless of hampering its flawless performance. The AF model is indeed the ideal and dependable solution for any high flow or high capacity pumping requirement.



Model Features

The AF Models are available in vivid makes and models so as to handle various requirement of the industry.

- The pumps are available in various sizes ranging from 6” to 30” depending up on the Application.
- These pumps have a flow range of 100 m³/hr to 6000 m³/hr.
- As decided by the pumping requirement, the customers have multiple options to choose from.
- The pumps are available in cast iron, stainless steel, Nickel-Chrome alloys as their prime base. Furthermore, depending upon the service requirement, the client can always let the manufactures know his preference of the alloys and the company is capable to comprehending the best possible solution.
- To fit in any kind of environment, the pumps are available in head size ranging from 2 mtr to 8 mtr.
- The sturdy built of the machine can withstand the extreme temperature as high as 300^o Celsius. Adding on to the customer convenience, the AF model has very low NPSH requirements.



Vertical Axial Flow Pumps

Propeller make vertical axial flow pumps are of rugged, heavy-duty construction designed to successfully operate in a multitude of applications requiring the movement of a high volume of water at a low discharge pressure.

Applications :

- They are used extensively for pumping water from sources including lakes, cooling ponds, tanks, rivers and oceans.
- These applications include raw water intake, dewatering, storm water removal, and flood control.
- Vertical axial flow pump applications are found in a variety of markets including: urban and rural municipal water, government, industrial and irrigation, and more.

Features :

- Parameters of vertical pumping applications require the units be available in a variety of pumping configurations to meet user needs.
- Propeller Pumps meets these demands by providing pump bowls from 6" to 30" in diameter.
- Propeller bowls can be in series to produce the necessary discharge pressures.
- Drive shafts extending through the discharge head can be sealed using either packing or mechanical seals.
- Propeller Pumps also offers an array of discharge head designs, including cast iron or fabricated steel construction, above- or below-ground.

Axial Flow Pumps

STANDARD LABYRINTH OIL SEALS

Carbon-filled Teflon for chemical resistance.

BI-DIRECTIONAL ANGULAR CONTACT BEARING

Common frame for both top and end suction arrangements.

EXTRA LARGE OIL SUMP

Increased oil capacity provides better heat transfer for reduced oil temperature. Bearings run cooler and last longer.

FOUR-POINT MOUNTING

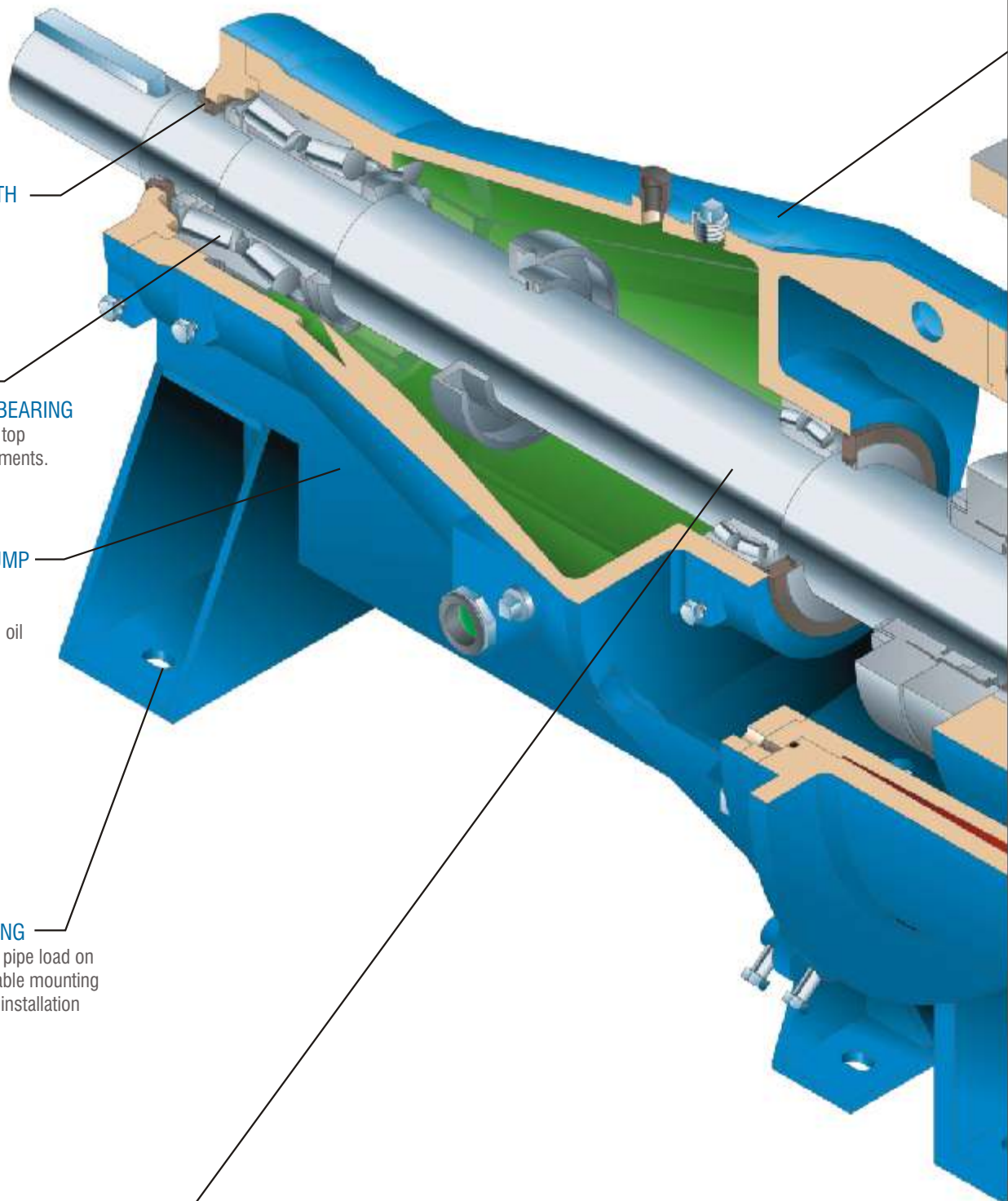
Decreases the effects of pipe load on the pump. Provides a stable mounting arrangement for ease of installation and maintenance.

EXTRA HEAVY DUTY SHAFT

Long bearing span and large diameters reduce shaft deflection, extend mechanical seal and bearing life.

HIGH EFFICIENCY IMPELLER

Available in a wide variety of vane angles. Available in Top or End Suction configurations.

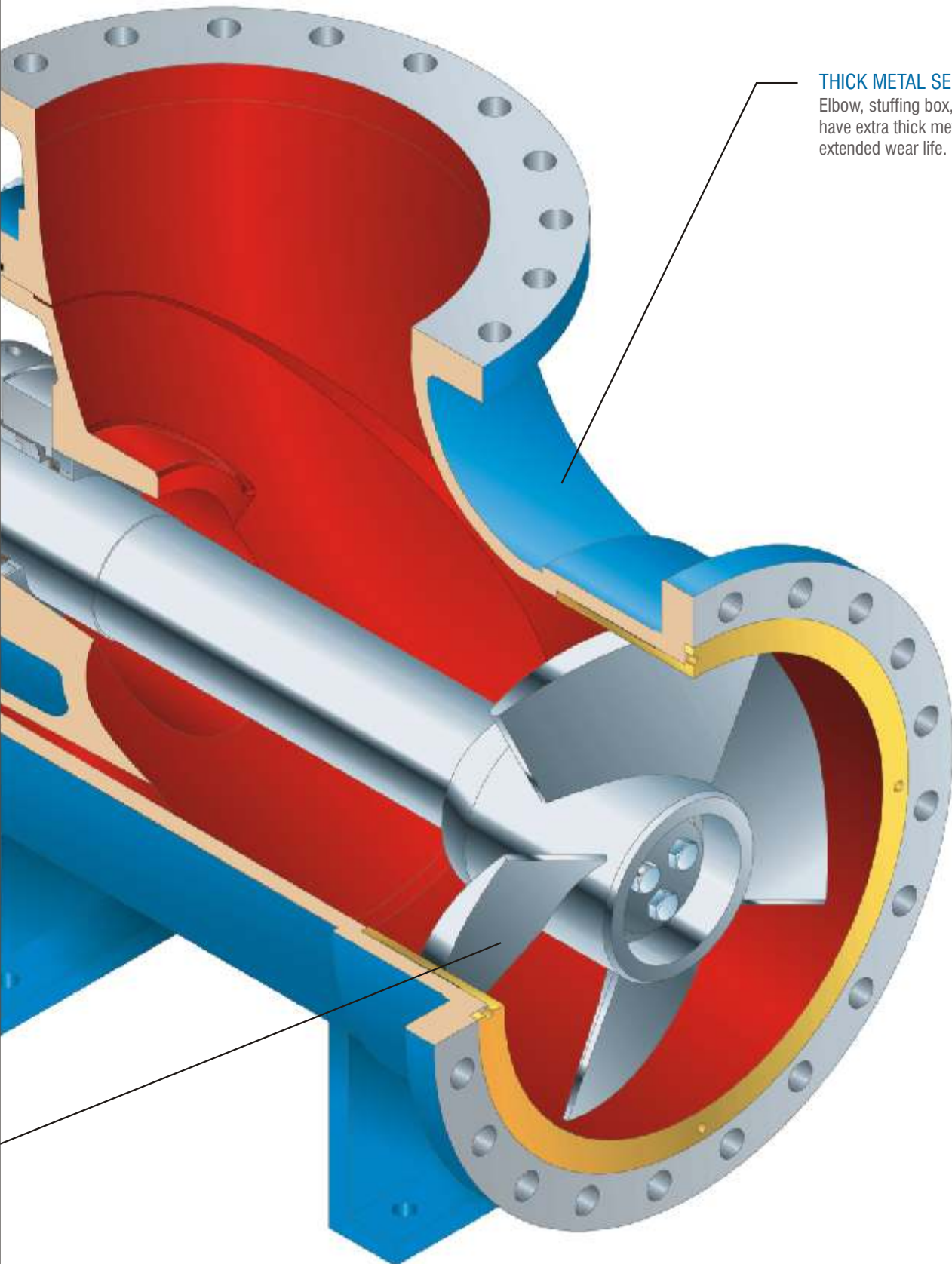


TWO PIECE BEARING FRAME

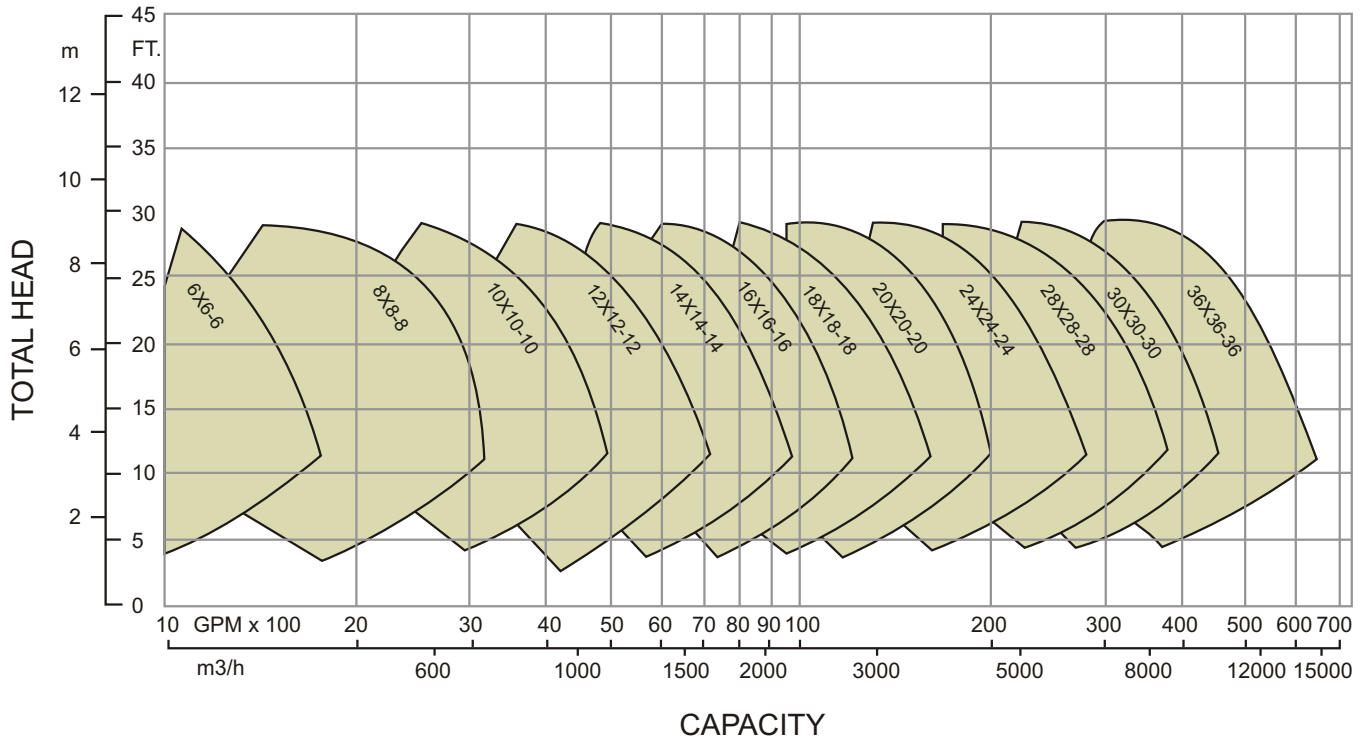
Insures accurate alignment for optimum life.

THICK METAL SECTIONS

Elbow, stuffing box, and Impeller have extra thick metal sections for extended wear life.



Family Curve



Design Benefits

The AF model is designed to meet various pumping requirement in varying temperatures. Its capacity and efficiency over are tremendous.

- The unmatched capacity offered by the AF models are varies from 100 m³/hr to 6000 m³/hr.
- Taking the performance, efficiency and adaptability of the pump to a level higher, The model design incorporates cylindrical bored stuffing box so as to ensure a long life of the seal. However, as per the requirement of the client, the seal less configurations of the AF models are also available.
- The robust bearing frame and shaft further ensures the long life and durability of the pump even if the propeller is required to perform in the critical conditions.
- Specially design padaster which gives extra balancing to shaft in the worst conditions.
- The various models of distinguished makes are available so as to integrate variety of pumping requirement. For instance, vertical or horizontal configurations of propeller are obtainable in vivid range of alloys. The model can be made sealed or without a seal depending upon the client's preference.



Our Strength

- We at propeller pumps believe that human resources are our biggest asset.
- We identify and engage the best talent in respective domain and impart rigours training in their functional area.
- Quality, consistency and commitment are the virtues we believe in.
- Manpower at propeller pumps is highly motivated and trained to meet day to day challenges and give their best.



Our Valuable Client

- Bhagiradha Chemicals Ltd.
- Nagarjuna Agrichem Ltd.
- Ihsedu Speciality Chemical Pvt. Ltd.
- Mazda Ltd.
- Unimark Remedies Ltd.
- HBL Power Systems Ltd
- HBL Power Systems Ltd
- Himani Organics & Chemicals Pvt. Ltd.
- Vivimed Labs Ltd.
- Excel Corp Care Ltd.
- Atul Ltd.
- Isagro (Asia) Agro Chemicals Pvt. Ltd.
- Ongole (A.P.)
- Vizag
- Vadodara
- Ahmedabad (OEM)
- Vapi (Gujarat)
- Vishakhapatnam
- SAUDI Arabia
- Ankleshwar
- Hyderabad
- Bhavnagar
- Ankleshwar
- Panoli (Gujarat)



Dominant Industries

The AF model of propeller pumps finds its maximum usage in various industries. The pumps along with reducing the required manpower and the efforts also plays a vital role in cutting down the manufacturing cost.

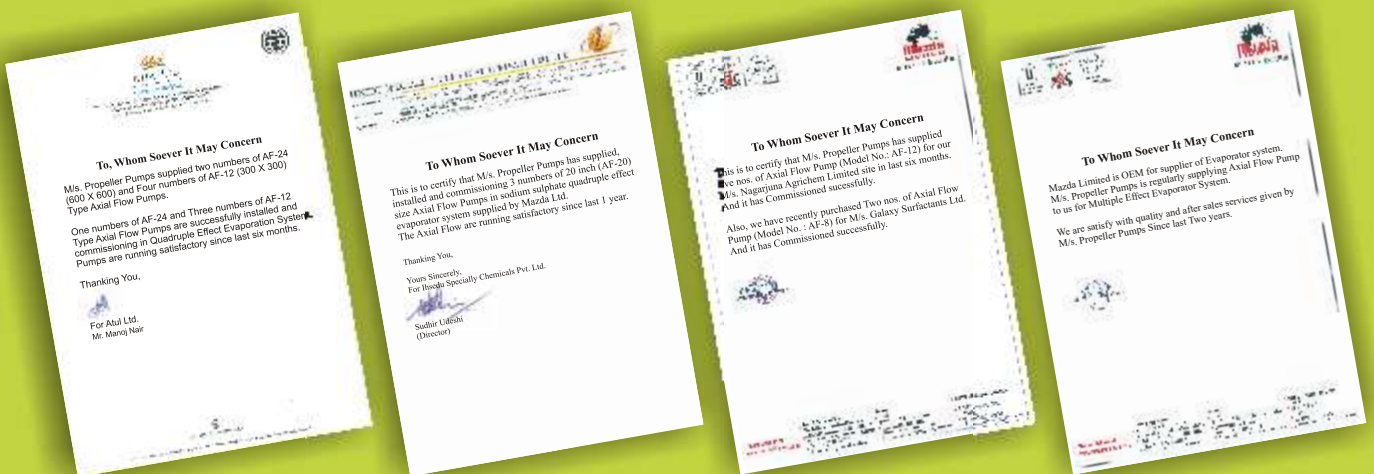
The industries that dominantly utilize the offered services are:

- Chemical Evaporator and Crystallizer.
- Petrochemical- Polypropylene , Xylene Reactors.
- Mining and Minerals- Phosphate, Soda Ash, Potash And Sodium Chloride Processing,
- Pulp And Paper Industry- Black Liquor Evaporator, Chlorine Dioxide Generators.

Along with that, the pumps prove to be a great help in modifying the effects of natural calamities like floods and rive overflows. Furthermore, the pumps can efficiently transfer the marine blast debris to an apt location in no time thus enhancing the work pace / Not to miss, the pump is deliberately used in raw water pumping ensuring the 24 hrs water supply to the agriculturists.



Achievements



Plot No. 512/6/17, Road No.- 13. G.I.D.C.
Kathvada, Ahmedabad - 382430 (INDIA)
Contact Us: +91-87586 06486
Email: propellerpumps@ymail.com
Web: www.propellerpumpsindia.com

www.propellerpumps.in

